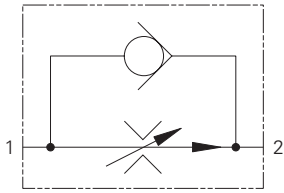


FAR1-10 - Flow Regulator

Fully adjustable, pressure compensated with free reverse flow
 1-38 L/min (0.25-10 USgpm) • 310 bar (4500 psi)



Operation

Flow into the inlet of the valve passes through the adjustable orifice and out of the regulated port. The pressure drop across the orifice is sensed on the regulating sleeve and produces a force which, at the

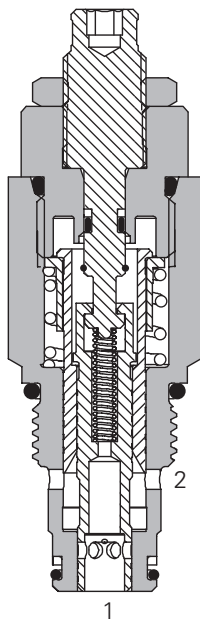
required flow rate, overcomes the spring force. The resultant movement of the sleeve regulates the flow by closing the radial valve ports.

The inbuilt check allows free return of flow (2 to 1).

Features

Cartridge construction gives versatility of application. A valve may be fitted into a line body, a custom designed Hydraulic Integrated Circuit or directly into a cylinder or other actuator. Leakproof adjust screw gives easy, accurate adjustment to required flow setting. Hardened and ground working parts give accurate flow control and long working life.

Sectional View



Performance Data

Ratings and Specifications

Performance data is typical with fluid at 21,8 cSt (105 SUS) and 49°C (120°F)

| | |
|---|---|
| Typical application pressure (all ports) | 5–350 bar (75–5000 psi) steel housing |
| Min. pressure differential across valve | 14 bar (200 psi) |
| Cartridge fatigue pressure (infinite life) | 310 bar (4500 psi) |
| Rated flow | 1–38 L/min (0.25–10 USgpm) |
| Temperature range | 40° to 120°C (–40° to 248°F) |
| Flow regulation accuracy | 4–38 L/min (1–10 USgpm) ±10% 1–4 L/min (0.25–1 USgpm) ±20% |
| Factory set maximum flow rate accuracy under standard test conditions and within the above ranges | |
| Reverse check crack pressure | 1.7 bar (25 psi) |
| Leakage at shutoff position | 0.4 L/min (24.4 in3/min) |
| Cavity | C-10-2 |
| Fluids | All general purpose hydraulic fluids such as: MIL-H-5606, SAE 10, SAE 20 etc. |
| Filtration | Cleanliness code 18/16/13 |
| Standard housing material | Aluminum or Steel |
| Weight cartridge only | "S" 0,02 kg (0.44 lbs) "K" 0,23 kg (0.51 lbs) "H" 0,26 kg (0.59 lbs) |
| Seal kit | 565803 (Buna-N), 566086 (Viton) |

Viton is a registered trademark of E.I. DuPont

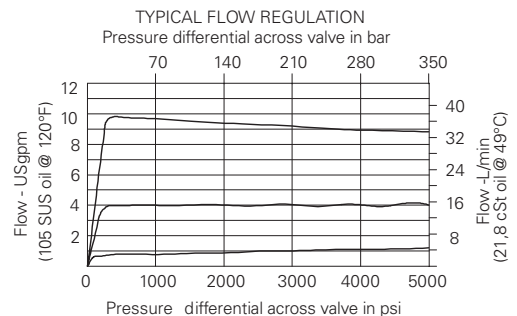
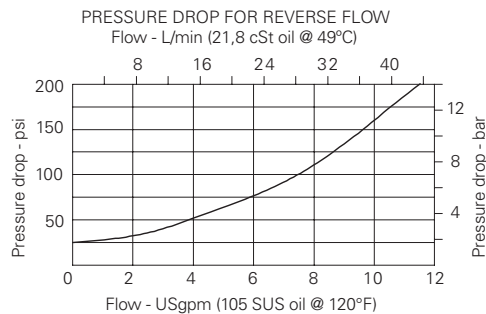
Description

This is a two-port, restrictive flow regulator with a built in free flow check valve. Typical uses include the control of actuator speed by regulating the flow into or out of the actuator (meter-in or meter-out).

The flow (and actuator speed) will be largely independent of the load and the pressure conditions. If used to restrict flow from a fixed supply, for example a standard gear or piston pump, the valve will pass the required flow and any surplus flow will normally pass over the system relief valve.

Typical Flow Regulation

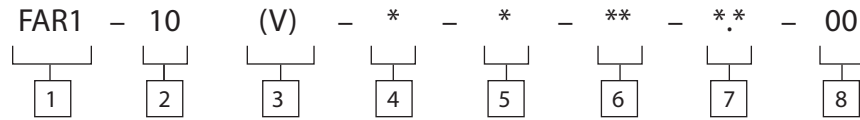
Cartridge only



FAR1-10 - Flow Regulator

Fully adjustable, pressure compensated with free reverse flow
1-38 L/min (0.25-10 USgpm) • 310 bar (4500 psi)

Model Code



1 Function
FAR1 - Flow adjustable, pressure compensated flow regulator with reverse flow check

2 Size
10 - 10 Size

3 Seal Material
Blank - Buna-N
V - Viton®

4 Adjustment Means
H - Calibrated handknob with locknut
K - Handknob with locknut
S - Screw with locknut

6 Port Size

| Code | Port Size | Housing Number | | |
|------|----------------|----------------------|-------------------------|---------------------|
| | | Aluminium Light duty | Aluminium Fatigue rated | Steel Fatigue rated |
| 0 | Cartridge only | | | |
| 3B | 3/8" BSPP | 02-175462 | - | - |
| 2G | 1/4" BSPP | - | 876702 | 02-175102 |
| 3G | 3/8" BSPP | - | 876703 | 02-175103 |
| 6H | SAE 6 | - | 876700 | - |
| 8H | SAE 8 | - | 876701 | - |
| 6T | SAE 6 | 566151 | - | 02-175100 |
| 8T | SAE 8 | - | - | 02-175101 |

See section J for housing details.

5 Valve Housing Material
Omit for cartridge only
A - Aluminum
S - Steel

7 Factory Set Flow Rate
Blank - Normal factory setting at 5 USgpm User requested setting within .25-10 US gpm (1-38 L/min.)

8 Special features
00 - None
(Only required if valve has special features, omitted if "00")



WARNING

Aluminum housings can be used for pressures up to 210 bar (3000 psi). Steel housings must be used for operating pressures above 210 bar (3000 psi).

Dimensions

mm (inch)

Torque cartridge in housing
A - 47-54 Nm (35-40 ft lbs)
S - 68-75 Nm (50-55 ft lbs)

"K" adjustment kit - 565585

Note: To reset scale and knob to an optimum viewing position:

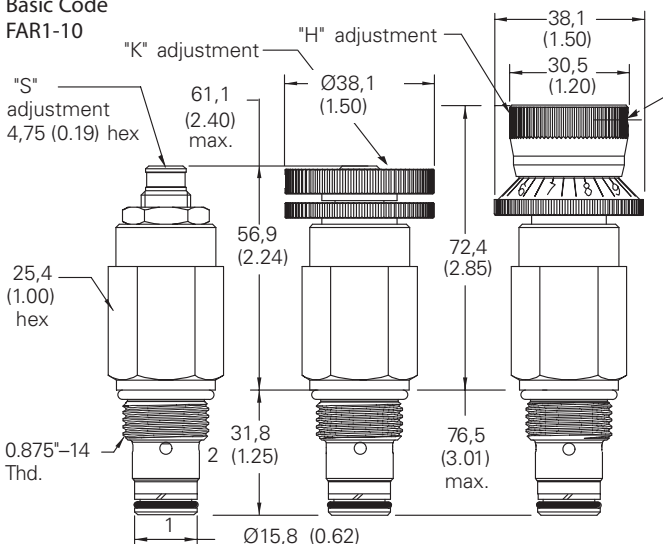
1. Loosen the set screw
2. Rotate zero point on scale to a desired orientation.
3. Align mark on knob with zero on scale.
4. Tighten the set screw firmly.

Note: To change the setting:

1. Loosen the set screw
2. Loosen jamnut while holding the knob steady, or move the knob along the axis slightly.
3. Turn adjusting screw (jam nut and knob will turn at the same time).

4. At the new adjusting screw position, tighten jamnut firmly while holding the knob steady, or move the knob along the axis slightly.
5. Tighten the set screw firmly.

Cartridge
Basic Code
FAR1-10



Installation Drawing (Steel)

